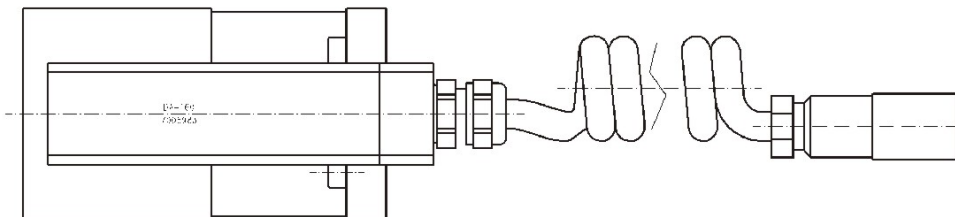
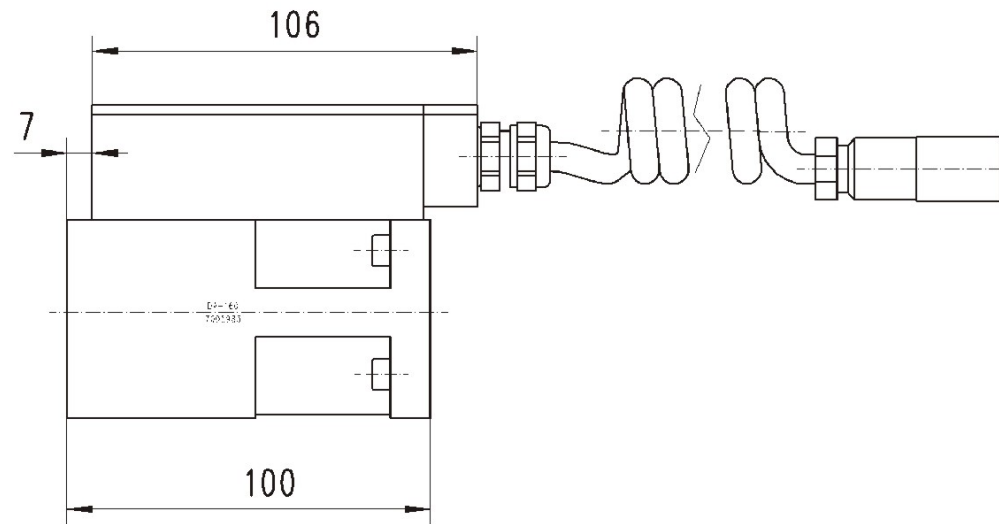
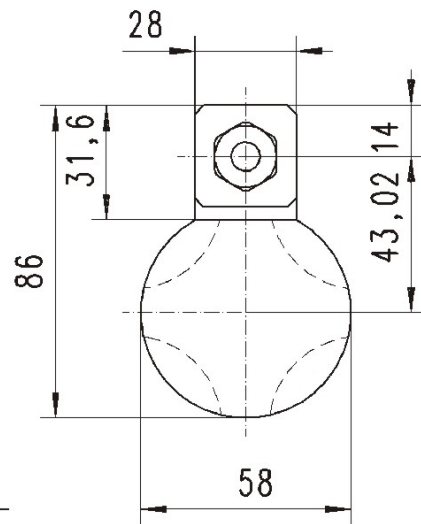


DA160
Best. - Nr.: 700 5983



Technical data:

General data:

Type DA.....	digital measuring transducer, Action
Flanged plug-in connector	Make Binder, series 723, 12pol.
Sensor element	DMS-full bridge, 1000 Ohm, 2 mV/V
Supply voltage	+ 12V (+/- 5%)
Zero point deviation	< 1% of nominal value
Current consumption	140 mA
Sampling rate	3,31 kHz
Communication	digital, asynchron, 230,4 kBaud (Md+W)
Communication bus	RS485
Torque resolution	12 Bit
Angle trace A, B (Optional)	0,5° resolution
Rating memory	internally in EEPROM
Rating memory Bus	I ² C

Pin assignment:

A	+ 12V	Transmitter supply
B	GND	Ground
C	RX / TX	Data line RS485
D	NRX / NTX	Data line Rs485
E	DIR	Data direction change
F	SDA	serial Data (I ² C)
G	SCL	serial Clock (I ² C)
H	nc.	
J	Wi-V	Angle leading (Optional)
K	Wi-N	Angle lagging (Optional)
L	nc.	
M	nc.	