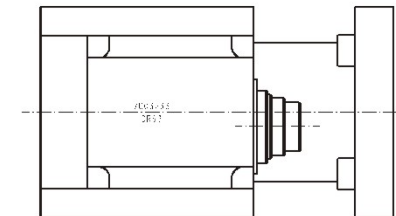
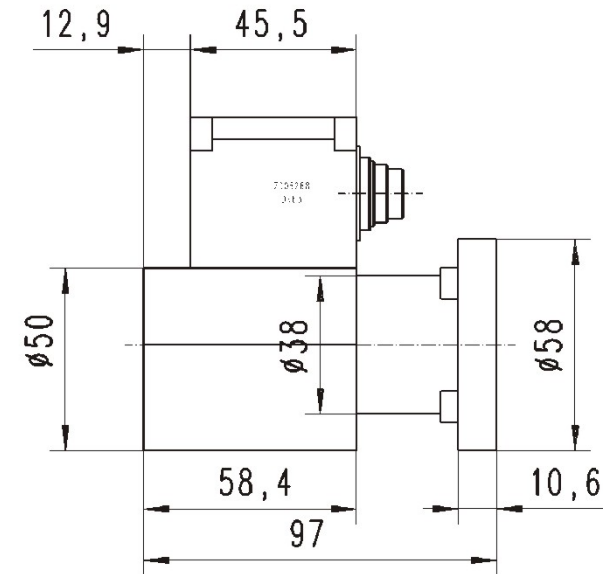
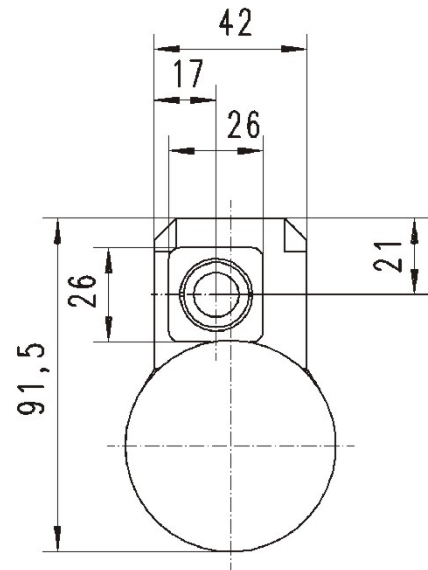


DR63
Best. - Nr.: 700 6268



Technical data:

General data:

Type DR.....	Reaction measuring transducer without angle logic
Type DWR	Reaction measuring transducer with angle logic
Flanged plug-in connector	Make Binder, series 723, 12-pin
Type of sensor	Torque transducer
Sensor element	DMS-full bridge, 350 Ohm
Supply voltage	+/- 12V (11,5V - 13V)
Current consumption	65 mA
Output voltage at nominal torque	+/- 5V
Calibration signal	5V
Angle trace V/N (only with DWR)	5V signal
Angle resolution	0,5 degrees
Rating memory	0,5° resolution
Rating memory Bus	internally in EEPROM
	I ² C

Pin assignment:

A	+ 12V	Transmitter supply
B	GND	Ground
C	+ MD	Torque +/- 5V
D	- MD	Reference point torque signal
E	DE	DATE ENABLE to read out the rating memory (5V)
F	SDA	serial data (I ² C)
G	SCL	serial clock (I ² C)
H	Kal.	Calibration input (5V)
J	WI-V	Angle leading (only with DWR)
K	WI-N	Angle lagging (only with DWR)
L	- 12V	Transmitter supply